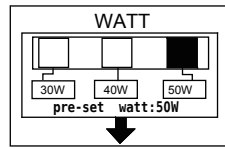
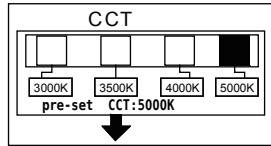


LED TROFFER

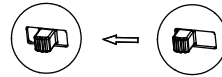
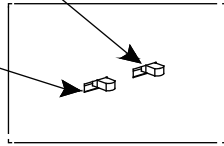
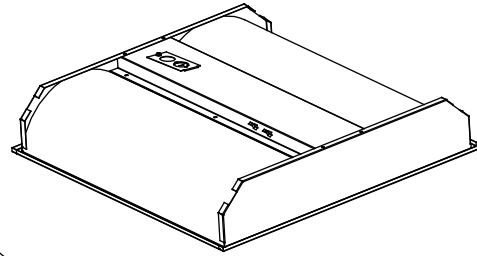
CCT AND WATT CHANGING



WATT CHANGING: 30W/40W /50W



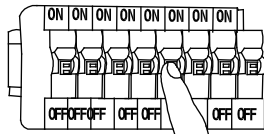
CCT CHANGING: 3000K/3500K/4000K/5000K



Installation manual

A.T-Grid ceilings installation

Step1

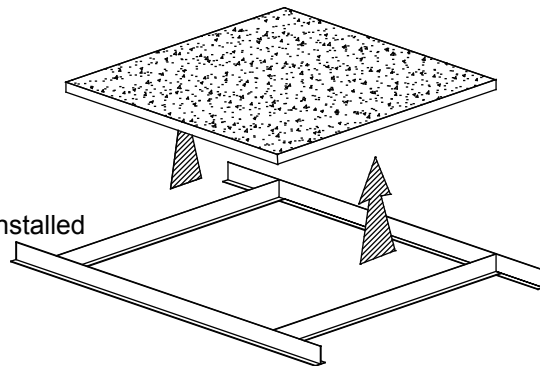


OFF

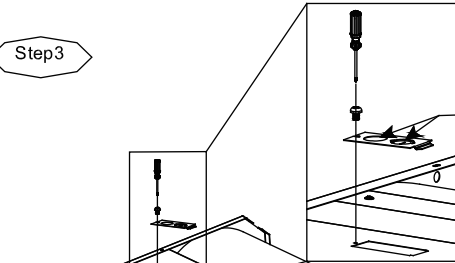
Turn off the switch

Step2

Remove the ceiling (s)
at an appropriate location
where the light fixture is to be installed



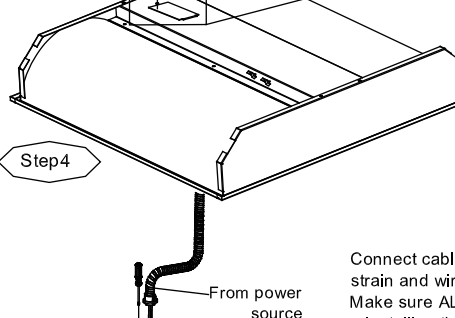
Step3



Power Leads Connection Remove
screw holding access cover plate
and remove the necessary knockout

Knockout

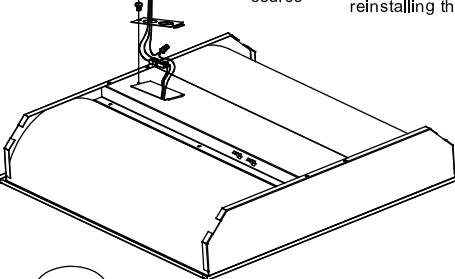
Step4



Connect cable wires with appropriate relief
strain and wire connectors (not provided).
Make sure ALL wires are tucked in before
reinstalling the cover plate.

From power
source

Step5



Wiring Diagram

